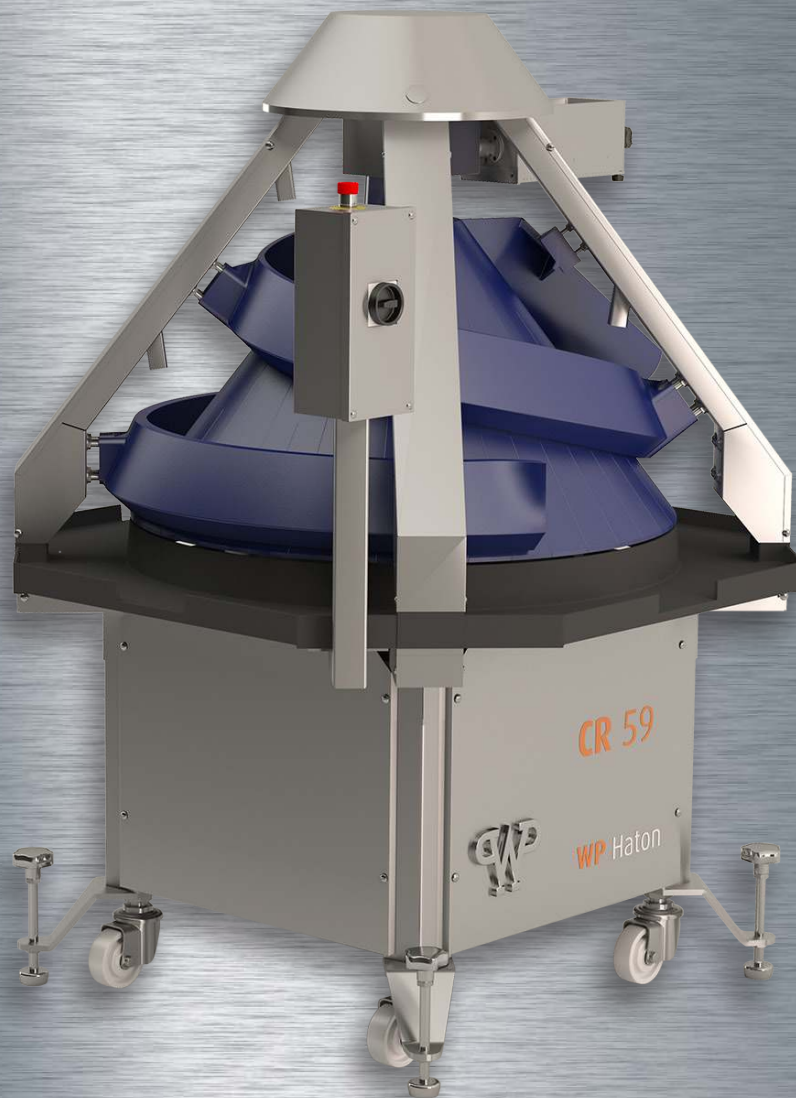


*think process!*

**WP** Haton



# CR 59

Conical Rounder

**WP** BAKERYGROUP

*think process!*

# CR 59

Picture CR 59 with discharge conveyor and discharge cone

SUITABLE FOR MANY COMMON DOUGH TYPES, SUCH AS WHEAT,  
WHEAT/RYE, MULTIGRAIN AND WHOLE WHEAT DOUGHS.



## **BENEFITS**

- Excellent round moulding results
- Perfect separation between dough pieces coming from the divider
- Minimum of dough crumbs
- Perfect transfer from dough pieces on the out-feed side
- No flour necessary to avoid sticking of dough

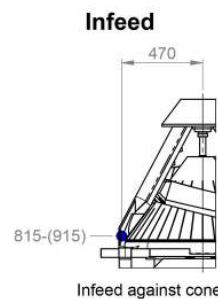
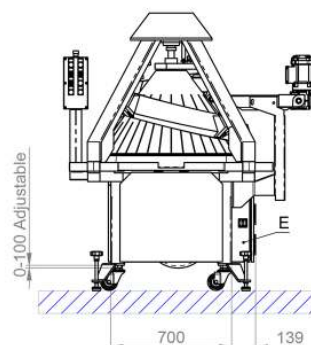
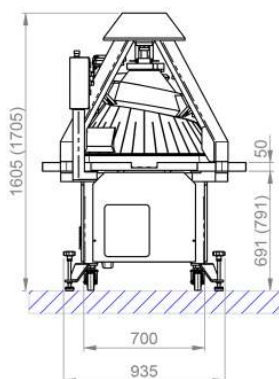
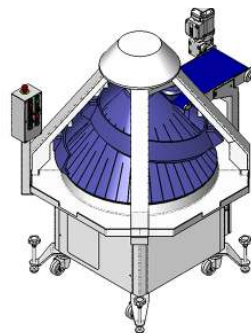
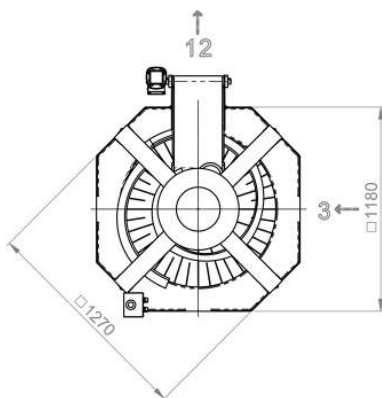
## BASIC EXECUTION:

### Without oiling

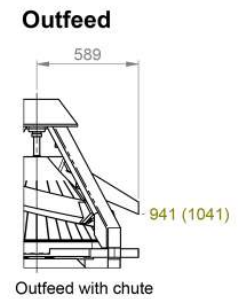
- Cast iron cone, Teflon coated
- Aluminium tracks, in- and outside Teflon coated
- Cone with top bearing
- Frame steel, nickel plated
- Cover plates stainless steel, brushed
- Undercarriage nickel steel with 4 swivel castors with mounting pins
- With operation control panel

### With oiling

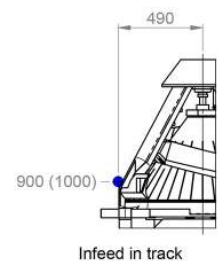
- Cast iron cone, Teflon coated
- Aluminium tracks, in- and outside Teflon coated
- Cone with top bearing
- Frame steel, nickel plated
- Cover plates stainless steel, brushed
- Undercarriage nickel steel with 4 swivel castors with mounting pins
- With operation control panel
- 4 oil spraying nozzles on cone
- Heating and blower



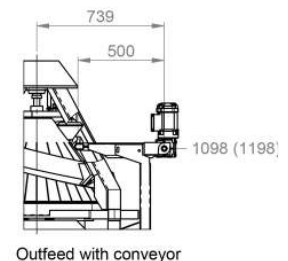
Infeed against cone



Outfeed with chute



Infeed in track



Outfeed with conveyor

Illustration CR 59 with discharge conveyor and discharge cone

## CR 59

TYPE	WEIGHT RANGE	CAPACITY
S	30 - 180 gr	up to 2500 pcs/h., E-motor 1,1 kW, 1400 rpm, n cone 27 rpm
SK	30 - 500 gr	
K	90 - 700 gr	2500 up to 3600 pcs/h., E-motor 1,1 kW,
M	400 - 1600 gr	1400 rpm, n cone 39 rpm
G	700 - 2200 gr	3600 up to 5000 pcs/h., E-motor 1,1 kW, 1400 rpm, n cone 57 rpm

DIMENSIONS		WEIGHT	CONNECTED LOAD
Length	1200 mm	net 375 kg	230/400 V, 3 phase, 50 Hz + earth
Width	1200 mm	gross 475 kg	2,0 KVA (without heating)
Height	1610 mm	Shipping volume 2.4 m <sup>3</sup>	5,8 KVA (with heating)

### OPTIONS

#### CR 59 without oiling

- Infeed conveyor L=700 or 950 mm, reversible
- Discharge conveyor, cross, L=1200 mm, reversible
- Discharge conveyor, straight, L=500 mm, with discharge cone
- Connection to central hot air blowing device (no pipes)
- Heating with fan
- Frequency inverter for variable cone speed
- Flour duster, mechanical
- Flour duster with independent drive and photocell for dough detection (only in combination with discharge conveyor)
- Customer specific Blue Box

#### CR 59 with oiling

- Infeed conveyor L=700 or 950 mm, reversible
- Discharge conveyor, cross, L=1200 mm, reversible
- Discharge conveyor, straight, L=500 mm, with discharge cone
- Connection to central hot air blowing device (no pipes)
- Frequency inverter for variable cone speed
- Oiling on cone and discharge conveyor divider, 5 oil nozzles
- Oiling on cone and infeed conveyor rounder, 5 oil nozzles
- Oiling on cone, infeed conveyor rounder and discharge conveyor divider, 6 oil nozzles
- Dough piece oil signalisation
- Customer specific Blue Box

#### WP HATON BV

Industrieterrein 13 // 5981 NK Panningen // Netherlands // Phone +31 77307-1860 // Fax +31 77307-5148 // info@wp-haton.com // www.wp-haton.com