

*think process!*

**WP** Haton



# DECOSEEDER

Automatic Seeding Unit

**WP** BAKERYGROUP

*think process!*

# DECOSEEDER

Picture DecoSeeder

 DecoSeeder

CAN BE USED IN INDUSTRIAL BREAD LINES FOR SEEDING  
DOUGH PIECES ALL AROUND AFTER FINAL MOULDING.  
ALL COMMON SEEDS OR MIXES CAN BE USED.



## PRINCIPLE

After moulding the moulded dough pieces are sprinkled with seeds and rolled in a bed of seeds by means of the extended top moulding belt.

A photocell detects the dough piece and gives the seeding unit an impulse. After a dough bed of seeds is portioned on the belt, seeds are rolled in the dough by a top moulding belt.

The non-used seeds are transferred back to the decoration container through a small gap between the decoration- and the discharge belt with the help of a cross conveyor belt and a vacuum system.

The decorated dough pieces are transferred straight and discharged to the panner conveyor or any other means of transportation such as a freezer belt or curved conveyor.

## BASIC EXECUTION:

- Stainless steel frame
- Stainless steel undercarriage with 4 fixed feet
- Independent drive
- Synthetic blue belt, width 600 mm, nose 480 mm
- Decoration belt
- Top moulding belt extended and adjustable in height and speed
- Adjustable Teflon coated side guides, H=20 mm
- Stainless steel curling net
- Adjustable gap for reclaiming access of decoration material
- Cross conveyor to transport non-used decoration material with help of a vacuum pump towards the decoration container
- Discharge conveyor (incl. cleaning position) to transfer the decorated dough pieces into tins. Twister unit can be placed optional on the DecoSeeder
- One exchangeable decoration container, 30 cm, with window for visual control.

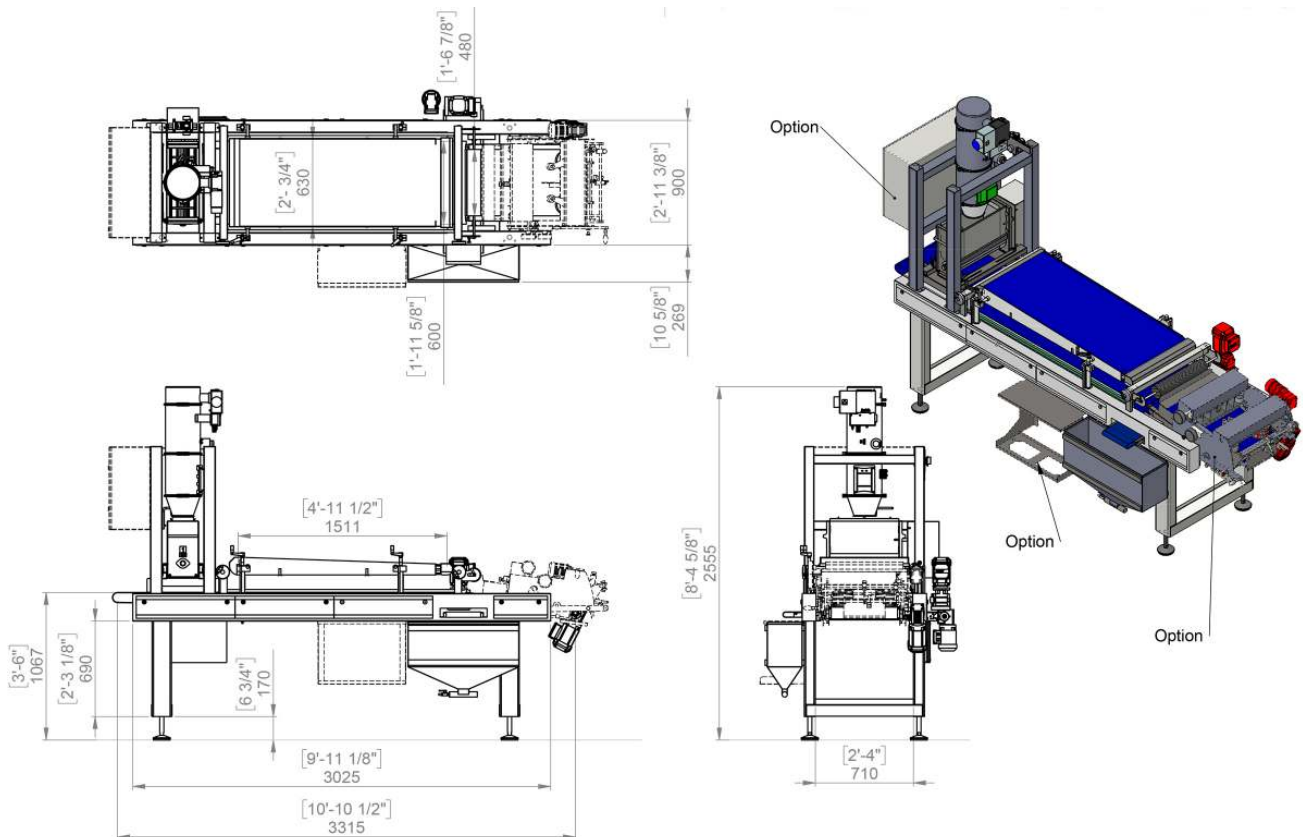


Illustration DecoSeeder

## DECOSEEDER

TYPE	WEIGHT RANGE	CAPACITY
DecoSeeder	200 - 1200 gr	<4200 pcs/h. depending on dough weight

DIMENSIONS	WEIGHT	CONNECTED LOAD
Length 3348 mm	nett ...760.kg	230/400 V, 50 Hz + earth
Width 1380 mm	gross.....kg	3,5 kVA
Height 2567 mm		Compressed air consumption: 400 - 1200 litre/h.

### OPTIONS

- Stackable Teflon coated side guides
- Extra exchangeable container
- Twister (Swing Away) (4 pieces)
- Water spraying unit on top belt of moulder
- Customer specific Blue Box

#### WP HATON BV

Industrieterrein 13 // 5981 NK Panningen // Netherlands // Phone +31 77307-1860 // Fax +31 77307-5148 // info@wp-haton.com // www.wp-haton.com